

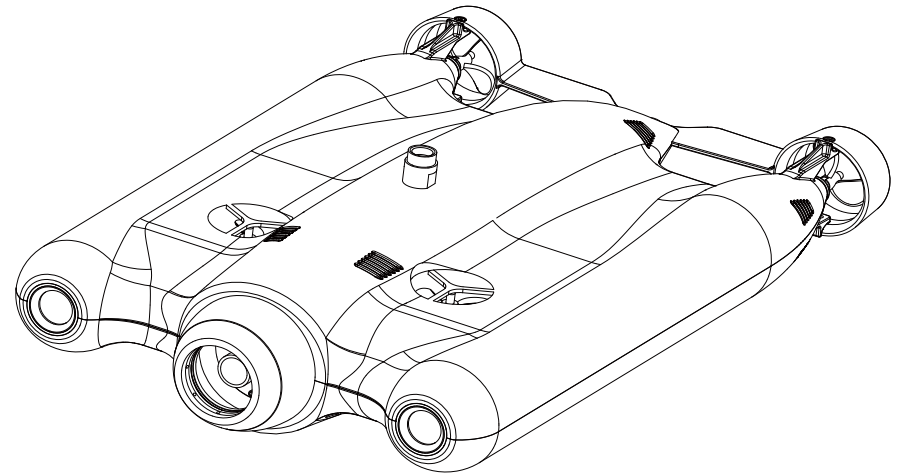


CHASING
— INNOVATION —
Chasing-Innovation Technology Co.,Ltd.

GLADIUS^{Pro}

Quick Start Guide

V2.0



Address: 506 of Xita in Digital cultural industry base of Shennan 10128
Nanshan, Nantou street, Nanshan District, 518052 Shenzhen
Email: support@chasing-innovation.com
Website: www.chasing-innovation.com

! DISCLAIMER

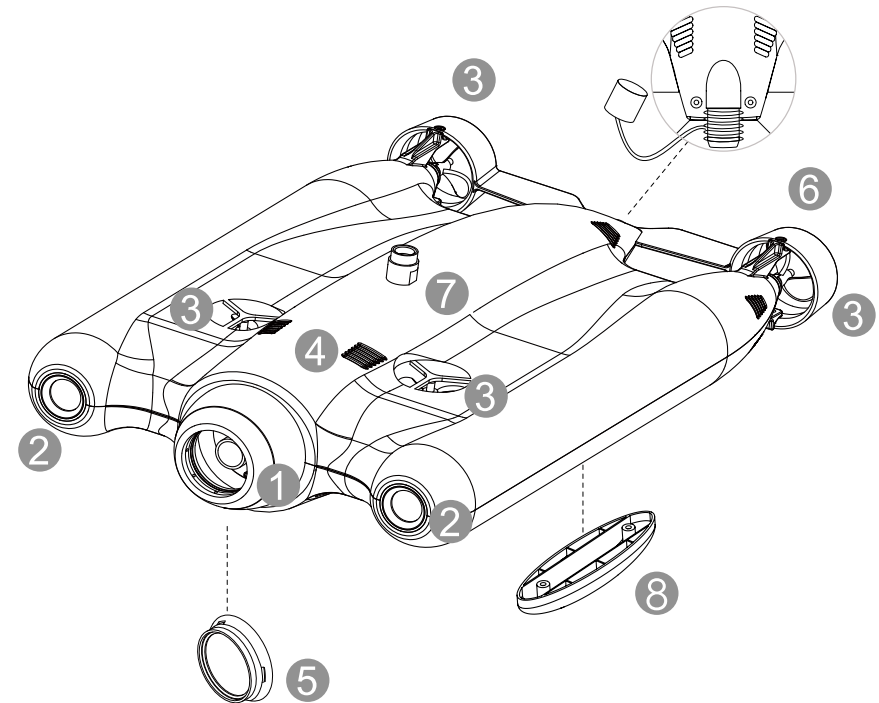
Congratulations on your purchase of the Chasing-Innovation, Gladius underwater drone. Please read this entire document carefully before using Gladius. By using this product, you hereby signify that you have read this disclaimer and all instruction beyond carefully and that you understand and agree to abide by the terms and conditions herein.

GLADIUS is a smart underwater drone built for filming, observing and explore under the deep water. Chasing-innovation accepts no liability for damage, injury or any legal responsibility incurred directly or indirectly from the use of Gladius in following conditions.

01. Damages or injuries incurred while users are intoxicated, impaired by the use of medications or illicit drugs, or impaired by any physical, mental, or emotional condition.
02. Damages or injuries resulting from improper, misjudged or intentional malicious operation.
03. Failure to follow the guidance of the provided manual(s) regarding assembly or operation.
04. Malfunctions resulting from the refit or replacement with non-Chasing-Innovation accessories or parts, or unauthorized modifications, disassembly or shell openings not in accordance with official instructions.
05. Damages or injuries resulting from the use of third party or counterfeit Chasing-Innovation products.
06. Damages or injuries resulting from improper or inadequate maintenance.
07. Damages or injuries resulting from operating the unit with a low battery alert, indicating that the drone is beyond it's ability to return to the operator.
08. Damages or injuries resulting from operating the unit out of maximum safe range or depth.
09. Damages or injuries resulting from intentionally operating the product in abnormal conditions, such as incomplete assembly, or any components having obvious faults or defects.
10. Damages or injuries resulting from operations in sensitive military zones, or government regulated public waters or private property without express permission.
11. Damages or injuries resulting from deployment in inclement conditions, including turbulent or turbid waters.
12. Damages or injuries resulting from external factors beyond operators control, including boat collision, natural disaster or animal attack.
13. Damages or injuries resulting from the infringement of sensitive data, images or video material recorded with the Gladius.
14. Losses deemed beyond the scope of Chasing-Innovation' s implied or expressed liability.
15. Other losses that are not covered by the scope of Chasing-Innovation' s liability.

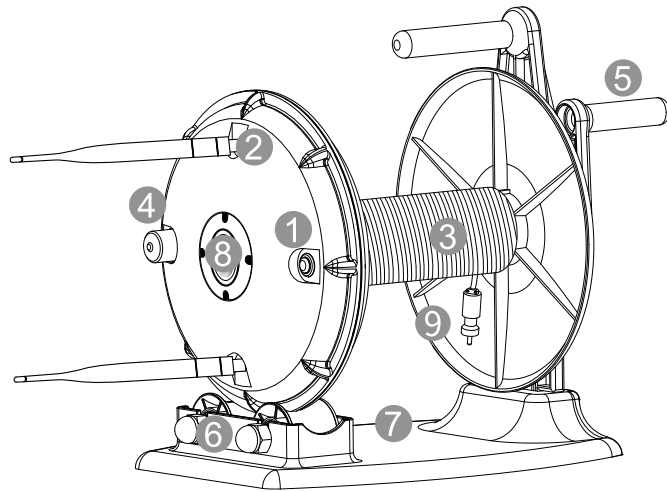
📖 GLADIUS INTRODUCTION

Underwater Drone

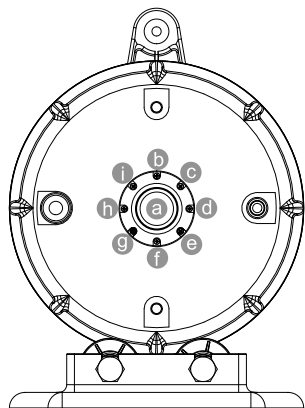


- | | |
|--|---|
| 1. Camera | 6. Charging Port |
| 2. LED Light | 7. Cable Connector |
| 3. Propeller | 8. Buoyance Modules
(Default comes with freshwater module, user can replace seawater module) |
| 4. air/water vent | |
| 5. Filter Holder
(Accept 49mm Lens) | |

Tether spool & WiFi Buoy



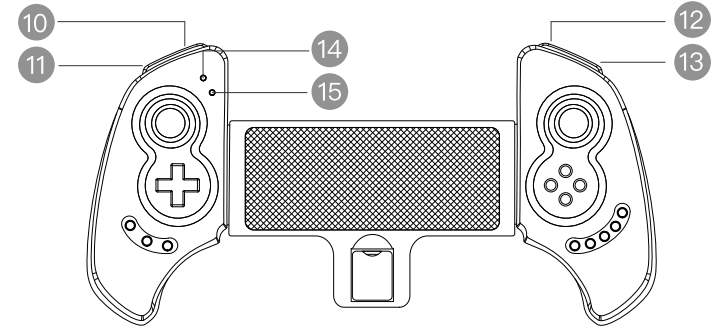
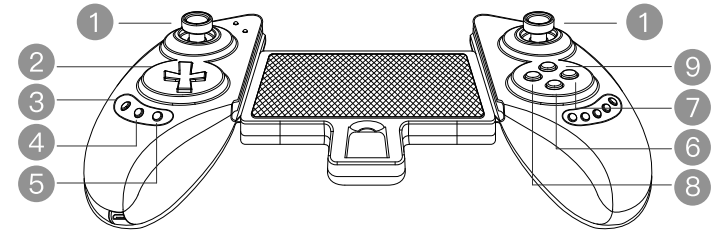
- | | |
|------------------------|--------------------------|
| 1. Power Button | 5. Removable Spool Crank |
| 2. Antenna | 6. Spool Cradle |
| 3. Cable | 7. Winder Seat |
| 4. Charging Port | 8. LED status viewport |
| 9. Buoy Wire Connector | |



- a : Flashing Navigation LED
making it easier to get your buoy's position
- Buoy battery > 50% Power Indicator (Green)
 - 25% <= 50% Power Indicator (Yellow)
 - <= 25% Power Indicator (Red)
- b : LINK- Wi-Fi connect light
c : PLC-Power cat network lights
d : PWR-Power cat power
e : ETH-Power cat network port indicator
f : 100%-buoy battery g : 75%-buoy battery
h : 50%-buoy battery i : 25%-buoy battery

Remarks: Buoy switch waterproof level: IP 67

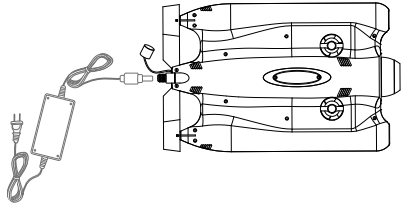
Controller



- | | |
|---|---|
| 1. Rocker, used to operate the device to move | 6. A, the default is to confirm the button |
| 2. The direction key on the camera page, to switch the camera / video mode, the left is to eject the video camera parameter page, the next to switch the self-stability/manual driving mode, the right to enter the settings page, the other pages can change the focus | 7. B, the default is the return button |
| 3. SELECT, the default is to switch the self-stability/manual driving mode | 8. X, the default is not used |
| 4. HOME, long press the start/close the handle, if the handle can not connect you can try long press HOME to close the handle until the SEARCH light long press the HOME key to restart the handle | 9. Y, the default is not used |
| 5. START, the default is to unlock / lock the machine | 10. L1, light brightness decreases |
| | 11. L2, the default is to switch the camera / video mode of the current screen |
| | 12. R1, light brightness increases |
| | 13. R2, the default for taking pictures/video |
| | 14. SEARCH light, shows the current status, light flash means not connected |
| | 15. CHARGE lamp for rechargeable light, indicating whether it is currently charging |

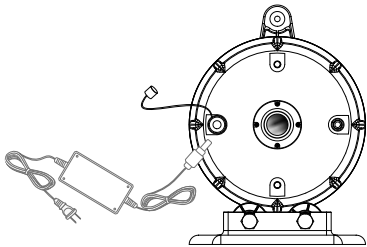


CHARGING GUIDE



1 Charging for Drone

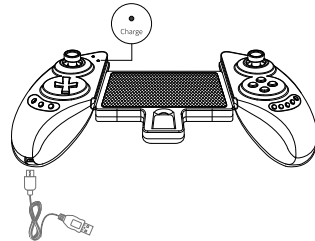
Unscrew the charge port cap. Insert the charge plug of the large charger. Red LED indicates charging, green indicates charge complete. Replace the cap. Do not over tighten. A proper seal depends on clean o-ring and threads. Not excessive tightening. Do not leave the charger connected after fully charged.



2 Charging for Buoy

Unscrew the charge port cap. Insert the charge plug of the large charger. Red LED indicates charging, green indicates charge complete. Replace the cap. Do not over tighten. A proper seal depends on clean o-ring and threads. Not excessive tightening. Do not leave the charger connected after fully charged.

Remark : red light indicate charging , green light indicate full charge.



3 Charging for Remote Controller

Charging with 5V Input USB port.

1. Charge indicator slowly flashes while charging and will keep shining fully charged.
2. Sleep/Wake up function: Gamepad will enter into sleeping mode if not in use for 5 minute and long press home button for wake up and reconnect automatically.
3. Charge indicator flashing quickly for low battery remind.



INSTALL & CONNECTION

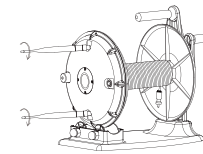
1 Download IF.Dive App

Android / iOS
(iOS 9.0 version/Android4.4issuitable) Scan the QR code to download or search on ios store / google play.



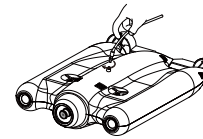
2 Install the buoy antenna

Turn round and fix the 2 antennas clockwise.



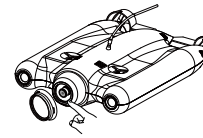
3 Connect drone and the buoy

Plug in the buoy connector with the drone, then screw the connector clockwise.



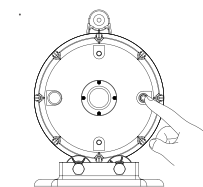
4 Connect the filter

Unscrew the protect ring of the Len and screw the filter ring on with some colorful filters.



5 Start button

Press the button with sound and light on



6 WI-Fi connection

Open App,click Wi-Fi icon, search "Gladius_2.4G_apXX" or "Gladius_5G_apXX". Password: 12345678.

Remarks: Gladius is built-in dual-band 2.4G + 5.8G Wi-Fi module, can choose any signal access to log in.



7 Open the Bluetooth and GPS

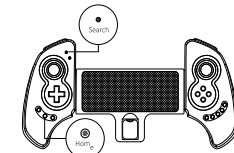
Don't need to enter the Bluetooth search interface, can be directly for the next operation.



8 Open the length of the remote controller switch, setting reasonable length and place the telephone into controller

Long press home button until the search lights flashing; Then get into App, controller automatically connected and search light will keep shining if connect success.

Note * If Bluetooth can't connect automatically, please restart the App and controller (Press the home button for a long time to shut down, Press the home button for a short time to power on)



9 Enter the manipulation steps

For the more details of the manipulation of the see the controller function is introduced, or please watch video tutorials on the official website <https://www.chasing-innovation.com/>.

PRECAUTIONS



1. To protect the light sets, please DO NOT turn the accent light on unless Gladius has been put in water.
2. For the best experience, please firstly let Gladius dive to 3 meters to exhaust before other operations.
3. The speed can be set on the app from 30% to 100% (the default factory setting is 50%). To prevent collision, please set the speed to 70% or below for new pilot.
4. DO NOT put the buoy far away from you (should be within 100 meters).
5. Chlorine or chemical substances will corrode gladius seals, if some of the swimming pool with high chlorine in which is forbidden to use Gladius.

SPECIFICATIONS

VERSION	GLADIUS STANDARD PRO	GLADIUS ADVANCED PRO
Drone		
Dimensions	433*270*127mm	433*270*127mm
Weight	<3.2KG	<3.2KG
Max Depth	50m	100m
Operating Temperature	-10g~10g	-10g~10g
Max Cruise Speed	-10°C~45°C	-10°C~45°C
Max Ascend/Descend Speed	4Kn(2m/s)	4Kn(2m/s)
Flow Resistance	3Kn(1.5m/s)	3Kn(1.5m/s)
Battery	4Kn(2m/s)	4Kn(2m/s)
Dimensions	67.71Wh (6100mAh)	67.71Wh (6100mAh)
Max Sailing Time	4.5h(continuous 30% power, LED off) 3h(continuous 50% power, LED off) 1h(continuous 100% power, LED off)	4.5h(continuous 30% power, LED off) 3h(continuous 50% power, LED off) 1h(continuous 100% power, LED off)
Battery cycles	>300	>300
Buoy & Winder		
Buoy&Winder Weight (without Tether)	<1.3KG	<1.3KG
Buoy Battery	33.86Wh (3050mAh)	33.86Wh (3050mAh)
Max Operation Time	≥6 hrs(Depending on the condition)	≥6 hrs(Depending on the condition)
Battery cycles	>300	>300
Waterproof Level	IP67	IP67
Buoyancy	≥200g	≥200g
Buoy & Winder Dimensions	258H*339L*190W (mm)	258H*339L*190W (mm)
Tether Weight	13g/m	13g/m
WIFI Distance	100m	100m
Tether Length	50m	100m
Break Strength	100KG (980N)	100KG (980N)
Remote Controller		
Operating Frequency	2.4GHz-2.485GHz	2.4GHz-2.485GHz
Transmitting Distance	<8m	<8m

Camera		
CMOS	1/2.3 inch	1/2.3 inch
Lens	F2.8	F2.8
Focus	70mm to Infinity	70mm to Infinity
ISO Range	100-3200	100-3200
FOV	95°	95°
Picture Max Resolution	8M (3840*2160)	12M (4000*3000)
Picture Type	JPEG	JPEG
Video Resolution	FHD: 1920*1080 30Fps FHD: 1920*1080 60Fps FHD: 1920*1080 120Fps	4K: 3840*2160 30Fps FHD: 1920*1080 30Fps FHD: 1920*1080 60Fps FHD: 1920*1080 120Fps
Video Max Code Flow	30M	60M
Video Type	MP4	MP4
SD Card Storage	16G	64G
LED Light		
Brightness	2X1200LM	2X1200LM
Temperature	6200K	6200K
Max Power	10W	10W
Dimming	Adjustable Dimming	Adjustable Dimming
Sensor		
Depth Sensor	+/-1m	+/-1m
Temperature Sensor	+/-2°C	+/-2°C
Charger		
Charger 1 (Larger Size)	75W/12.6V	75W/12.6V
Charging Time	Drone: 1.5 hrs	Drone: 1.5 hrs
Charger 2 (Smaller Size)	38W/12.6V	38W/12.6V
Charging Time	Buoy: 1.5 hrs	Buoy: 1.5 hrs
NOTE: Charger1 charging Gladius, Charger2 charging Buoy.		
App		
Mobile APP	IF.Dive	IF.Dive



PRODUCT CARE

1 Battery Storage

- 1.1. If battery could not charge, please discharge the battery to 1%-5%, then charge again.
- 1.2. For long-term not used Gladius, the battery should be kept in 50%~80% to prolong battery life. It is recommended to carry out a full charge and discharge of the battery every 2 months. This can greatly extend the battery life.
- 1.3. When the battery is less than 5%, it is recommended to stop using the machine, otherwise it may affect the battery life. At the same time please charge to 80% to preserve in order to avoid battery damage.

2 Drone Storage

Please store the drone in a cool, dry place away from direct sunlight.

3 Cleaning

Please clean the drone with freshwater after work and store it after drying thoroughly.

For more information, please download the User Manual from our official website:

www.chasing-innovation.com

This content is subject to change without prior notice.

©2018 Chasing-Innovation. All rights reserved.